



Three Foot Extension

Operator's Manual

MODEL: 99944200535 3' EXTENSION

FOR MODELS: SRM-2100SB/2400SB PAS 2100/2400
SRM-210SB/211SB PAS 210/211
SRM-260SB/261SB PAS 230/231
PAS 260/261
PAS-265

FOR ATTACHMENTS: 99944200480 Hedge Clipper
99944200485 Shaft Hedge Clipper
99944200530 Power Pruner
99944200595 Articulating Hedge Clipper

ENGLISH

ESPAÑOL

FRANCAIS



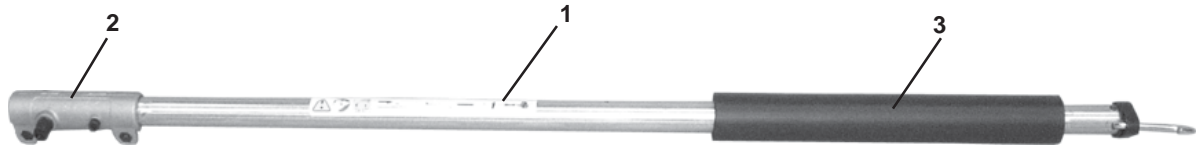
WARNING

Read rules for safe operation and instructions carefully. ECHO provides an Operator's Manual and a Safety Manual with your original Pro Attachment Series Power Source. Those manuals and this manual must be read and understood for proper and safe operation.

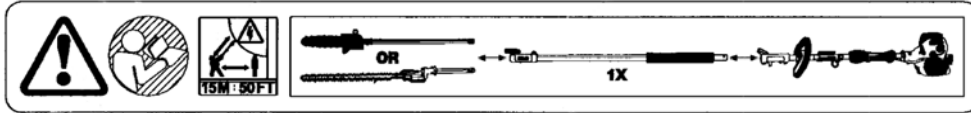
X7672090600

X767000170
10/07

DESCRIPTION:



P/N X505002400



1. **DRIVE SHAFT ASSEMBLY** - Contains a specially designed liner and the flexible drive shaft.
2. **DRIVE SHAFT COUPLER** - Includes Locator Pin and Clamping Knob.
3. **LEFT HAND SHAFT GRIP** - Cushioned grip for left hand.

CONTENTS:

- _ 3-foot extension
- _ Storage hook assembly
- _ Operator's Manual



SPECIFICATIONS:

Length 36 in. (91.4 cm)

Weight 2.66 lbs. (1.2 Kg)

3 FOOT EXTENSION INSTALLATION

Tools Required: None

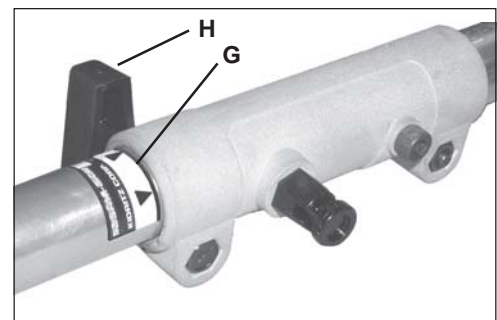
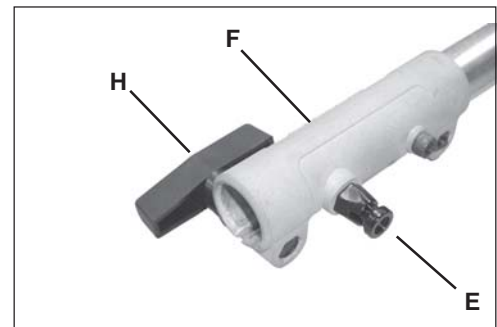
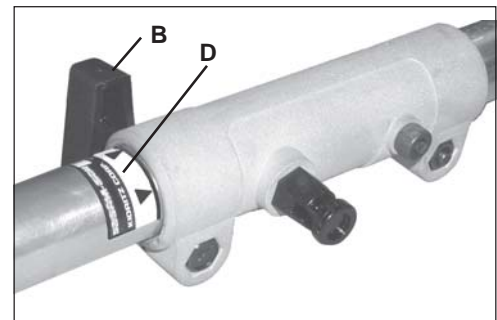
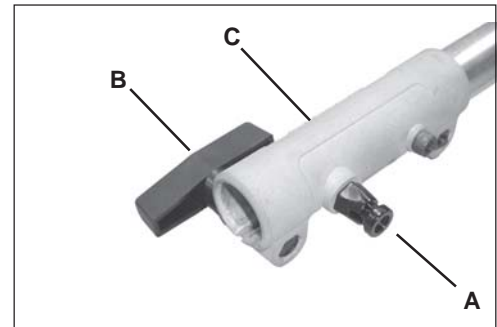
Parts Required: 3 Foot Extension



WARNING

- The Pro Attachment Series is designed to accept only one extension. Use of more than one extension can result in balance and control problems leading to possible personal injury to operator and bystanders and/or unit damage.
- Use this extension with ECHO Pro Attachment Series models ONLY.

1. Pull locator pin (A) on PAS power source, and turn counter clockwise $\frac{1}{4}$ turn to lockout position. Loosen clamping knob (B) and remove attachment from power source.
2. Remove hanger assembly from 3-foot extension.
3. Carefully fit extension drive shaft assembly into power source coupler (C) to decal assembly line (D), making sure that the inner lower drive shaft engages into the square upper drive shaft socket.
4. Rotate locator pin on power source coupler (A) $\frac{1}{4}$ turn clockwise to engage drive shaft hole. Insure locator pin is fully engaged by twisting lower drive shaft. Locator pin should snap flush in coupler. Full engagement will prevent further shaft rotation.
5. Secure extension to coupler by tightening clamping knob (B).
6. Pull locator pin (E) on extension and turn counter clockwise $\frac{1}{4}$ turn to lockout position.
7. Carefully fit attachment drive shaft assembly into extension coupler (F) to decal assembly line (G), making sure that the inner lower drive shaft engages into the square upper drive shaft socket.
8. Rotate locator pin (E) on extension coupler (F) $\frac{1}{4}$ turn clockwise to engage drive shaft hole. Insure locator pin is fully engaged by twisting lower drive shaft. Locator pin should snap flush in coupler. Full engagement will prevent further shaft rotation.
9. Secure attachment to extension by tightening clamping knob (H).



ECHO CONSUMER PRODUCT SUPPORT

If you require assistance or have questions concerning the application, operation or maintenance of this product you may call the ECHO Consumer Product Support Department at 1-800-673-1558 from 8:30 am to 4:30 pm (Central Standard Time) Monday through Friday. Before calling, please know the model and serial number of your unit to help your Consumer Product Support Representative.



**ECHO, Incorporated 400 Oakwood Road
Lake Zurich, IL 60047
www.echo-usa.com**

S07000001001 - S07000999999